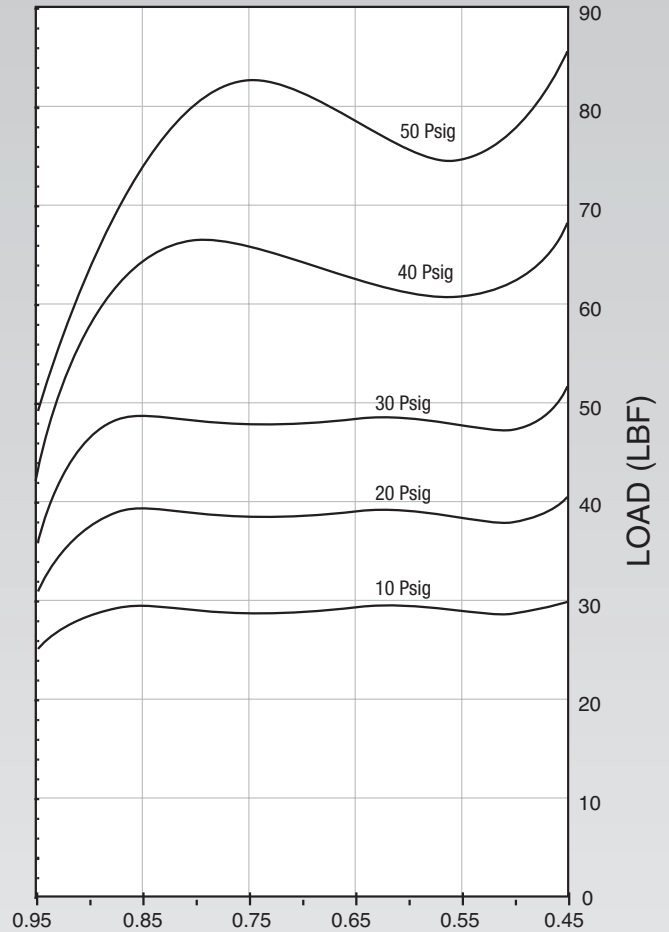
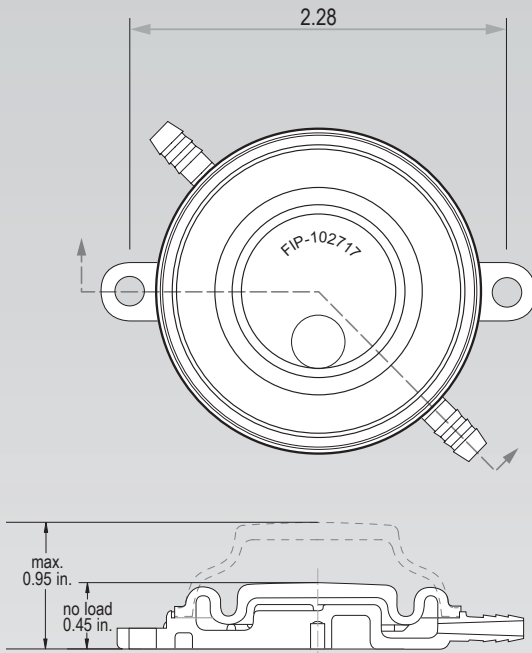


50-P-10

Firestone



Description	Assembly Order No.
50-P-10	WA1-358-5676



Use #8 or 4mm screws to mount through tabs.

Use .18 [4.6] ID nylon or equivalent tubing.

NOTE:
Do not use as an Airmount isolator.

Force Table (Use for Airstroke™ actuator design)						
Assembly Height (in.)	Volume @ 60 PSIG (in ³)	Pounds Force				
		@10 PSIG	@20 PSIG	@30 PSIG	@40 PSIG	@50 PSIG
.45		14	27	41	62	85
.55		12	24	36	53	71
.65		13	25	38	56	76
.75		12	24	37	60	81
.85		13	25	38	58	69
.95		7	14	21	28	37