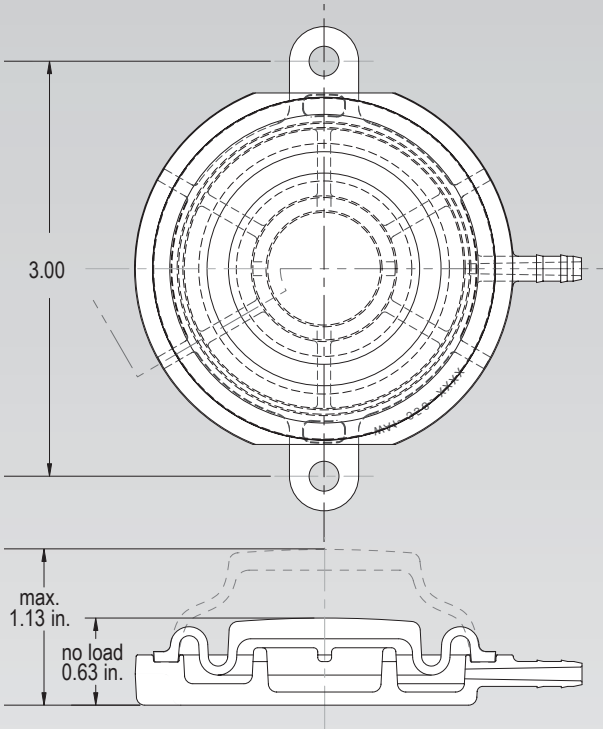
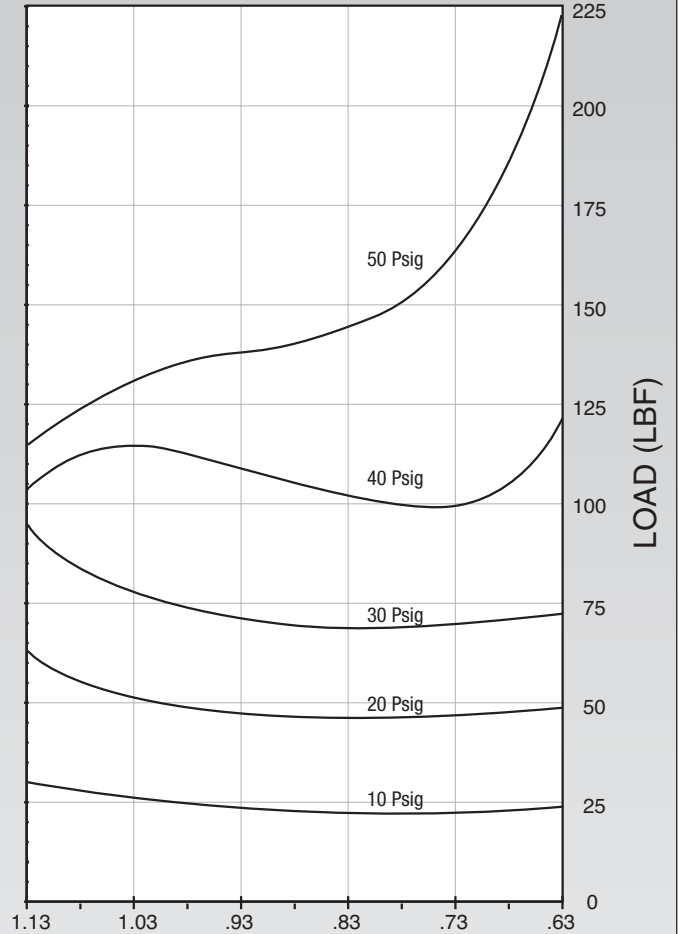


Description	Assembly Order No.
70-P-13	WA1-358-5674



Use #8 or 4mm screws to mount through tabs.

Use .18 [4.6] ID nylon or equivalent tubing.



NOTE:
Do not use as an Airmount isolator.

Force Table (Use for Airstroke™ actuator design)						
Assembly Height (in.)	Volume @ 60 PSIG (in ³)	Pounds Force				
		@10 PSIG	@20 PSIG	@30 PSIG	@40 PSIG	@50 PSIG
.63		24	49	73	129	247
.73		23	46	69	100	174
.83		23	47	70	102	146
.93		24	49	73	109	139
1.03		26	51	77	115	132
1.13		32	63	95	101	114